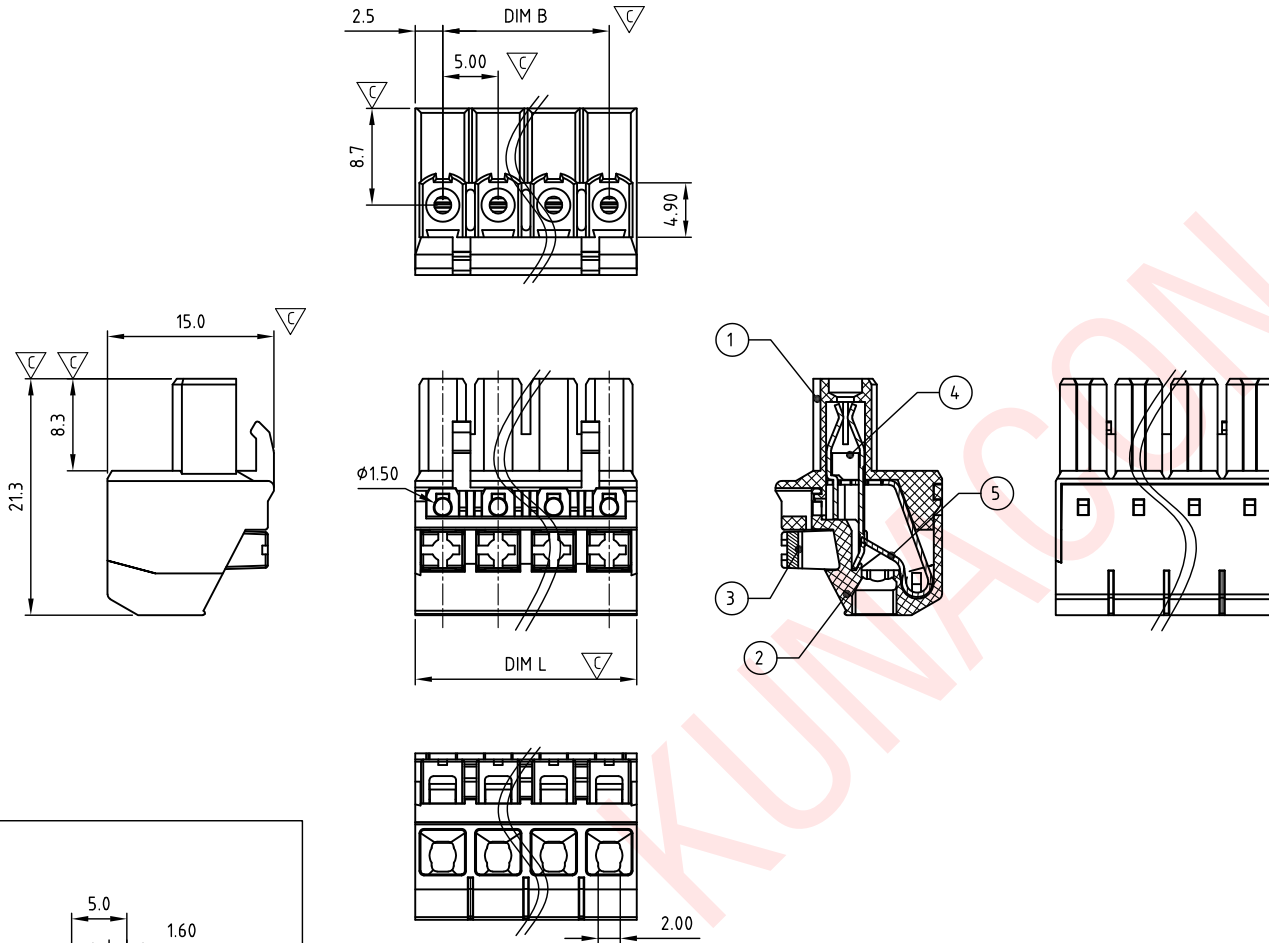


Transfer or duplication of this document as well as the utilisation or communication of its content are not permitted unless express consent is granted. Violations give rise to claims for damages. All rights reserved in case of patent, utility model or design patent registrations.



2P WITH HOOK TYPE

Technical data

- Nominal voltage: 300V/15A (IEC 300V/15A)
PITCH:5.0mm
- Connection capacity:
Sol/Str AWG 24-14 (IEC 0.2-2.5mm²)
- Insulation Withstanding Voltage:
AC 1600V/MIN (IEC AC 2200V/MIN)
- Insulation Resistance:
1000MΩ or more at DC500V
- Stripping length: 9-10mm
- Using temperature range: -40C° -115C°
- Undimensioned Tolerances:

Dim.L=Px5.0 Dim.B=(P-1)x5.0 P= number of poles 2-4P		
	Dim B	Dim L
0-30mm	±0.15	±0.20
over 30mm-60mm	±0.20	±0.25
over 60mm-90mm	±0.25	±0.30
over 90mm	±0.30	±0.40

- Safety approval: Pending
- RoHS Compliance
- Critical dimension:

PFST500 xx x 00x
①②③

- Poles 02,03,04
- Color
0 Black 5 Green 6 Blue 8 Dark Grey G Pale grey....
- Custom
000 K MARK 00K KUNACON MARK....

5	WIRE GUARD	Stainless steel	t=0.40mm	P
4	CONTACT	PhBz	t=0.40mm TIN PLATED	P
3	LEVEL	POM UL94HB	ORANGE	P
2	COVER	PA66 UL94V-0	ALL COLOR	1
1	BODY	PA66 UL94V-0	ALL COLOR	1
ITEM	NAME OF PART	MATERIAL	NOTES	Q'TY
DWG.	WF. Zhang	DATE	2024.08.09	UNITS: MM SHEET: 1 OF 1 Tolerance
CHK.	WF. Zhang	DATE	2024.08.09	SCALE: NONE 2:1 (:) REV.: A X. ±0.50 X.X ±0.30 X.XX ±0.10 X° ±1°
APP.		DATE		TITLE: PF-ST500 Series Plug
				PART NO. PFST500xxx00x
				DWG NO. PF-S500-B001

REV	△			
SIGN		DESCRIPTION	CHK.	DATE



KUNA Contact Technology Co, Ltd
http://www.kunacon.com